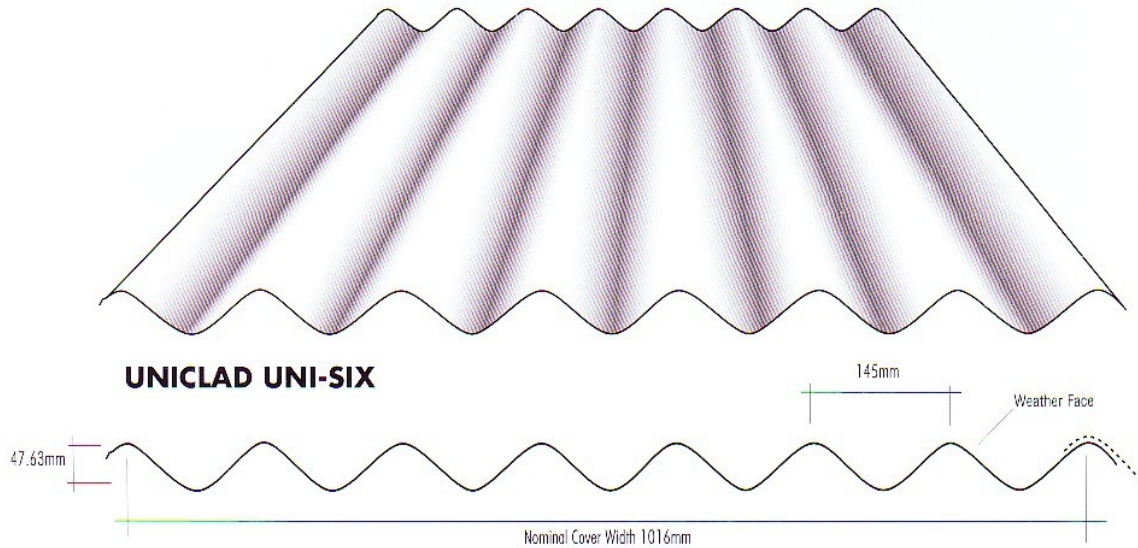


UNICLAD

SYSTEMS

UNI-SIX

UNI-SIX



UNICLAD UNI-SIX

Table 1: Permissible wind uplift (negative) loads in kN/m² - deflection limit span/150

Sheet Thickness	Weight kg/m ²	Span Condition	Span (mm)										
			800	1000	1200	1400	1600	1800	2000	2200	2400	2600	2800
0.50mm	5.60	single	8.90	5.69	3.95	2.90	2.08	1.46	1.06	0.80	-	-	-
		double	5.23	3.74	2.82	2.21	1.78	1.46	1.22	1.04	0.90	0.78	-
		multi	6.20	4.46	3.38	2.65	2.14	1.77	1.49	1.27	1.03	0.81	-
0.70mm	6.62	single	11.78	7.54	5.23	3.84	2.76	1.94	1.41	1.06	0.82	-	-
		double	7.78	5.49	4.10	3.18	2.54	2.08	1.73	1.47	1.26	1.07	0.86
		multi	9.29	6.60	4.94	3.85	3.08	2.53	2.11	1.77	1.36	1.07	0.86
0.90mm	8.66	single	16.37	10.47	7.27	5.34	3.82	2.69	1.96	1.47	1.13	0.89	-
		double	12.11	8.43	6.23	4.79	3.80	3.09	2.56	2.16	1.82	1.48	1.19
		multi	14.55	10.18	7.55	5.82	4.63	3.78	3.14	2.45	1.89	1.48	1.19

Table 2: Permissible downward (imposed) loads in kN/m² - deflection limit span/200

Sheet Thickness	Weight kg/m ²	Span Condition	Span (mm)										
			800	1000	1200	1400	1600	1800	2000	2200	2400	2600	2800
0.50mm	5.60	single	8.90	5.69	3.70	2.33	1.56	1.09	0.80	-	-	-	-
		double	5.23	3.74	2.82	2.21	1.78	1.46	1.22	1.00	0.77	-	-
		multi	6.20	4.46	3.38	2.65	2.14	1.77	1.33	1.00	0.77	-	-
0.70mm	6.62	single	11.78	7.54	4.91	3.09	2.07	1.45	1.06	0.80	-	-	-
		double	7.78	5.49	4.10	3.18	2.54	2.08	1.73	1.33	1.02	0.80	-
		multi	9.29	6.60	4.94	3.85	3.08	2.42	1.76	1.33	1.02	0.80	-
0.90mm	8.66	single	16.37	10.47	6.80	4.28	2.87	2.01	1.47	1.10	0.85	-	-
		double	12.11	8.43	6.23	4.79	3.80	3.09	2.45	1.84	1.42	1.11	0.89
		multi	14.55	10.18	7.55	5.82	4.63	3.36	2.45	1.84	1.42	1.11	0.89

Recommended minimum roof pitch 4°. This profile can be used as a roof or wall profile. It can also be used as a 'stand alone' profile in either single skin or built-up systems as well as an over-roof system for old Big 6 asbestos profiles. See reverse for details.

Planetary Business Centre, Planetary Road, Willenhall, Wolverhampton, WV13 3SW
 Tel: 01902 866411 Fax: 01902 866465
 e-mail: sales@unicladsystems.co.uk web site: www.unicladsystems.co.uk